

REPRESENTED BY:

Link The Best Company Ltd.
Flat 12, 11/F, Block A, Merit Ind. Centre,
94 Tokwawan Road, Kowloon, Hong Kong
Tel: (852) 2568 4092
Fax: (852) 2423 7829
Email: sales@linkthebest.com.hk

SPECIFICATIONS

UVC Lamp and fixture are factory assembled and tested. They consist of a housing, power source, one piece steel supported lamp and connector. All components are constructed to withstand typical HVAC environments. They are UL/C-UL Listed under Category Code ABQK (Accessories, Air Duct Mounted), UL Standards: 153, 1598 & 1995 respectively.

Housing is constructed of 16-gauge, powder-coated steel and is equipped with 3/4" electrical knockouts on all accessible sides to facilitate wiring to A/C power. Fixtures may be used as side (XS) or top (XT) mount as required or as shown on the plans. Each fixture incorporates all components into one integral assembly that maximizes service-ability. Fixtures shall be designed to be mounted outdoors or where necessary.

Power Source is an electronic, high frequency, rapid-start type with overload protection. Its standard power switching capability allows for 120/240Vac wiring and is designed to maximize photon production, radiance and reliability and shall be UL/C-UL Listed for temperatures of 55-135° F. It includes RF and EMI suppression.

Lamp Assembly and Mounting

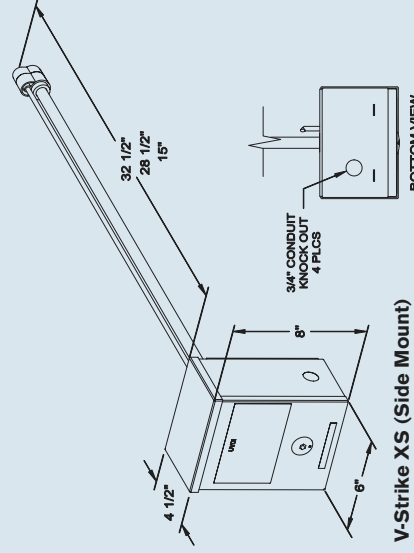
The UV lamps are mounted in a sturdy and easy to handle assembly which mounts quickly (1/2 turn) into a specially designed socket within the enclosure. An integral plug provides power. This provides a very sturdy mount that allows for quick lamp changes.

Lamp and Connector are integrated into one unit that includes a steel support to protect the lamp before, during and after its installation and

operation. The bayonet style lamp includes a rotational mounting and locking connector knob (with light pipe) that accepts lamp power via a safety plug from the power source. The lamps 0 medium bi-pin types for the VS-32-T5 and VS-28-T5. The VS-15-PLL type is a bi-axial, T5 diameter twin-tube type. Both lamps have their pins isolated from the air stream. Each achieves the specified output at 500 fpm in air temperatures of 55-135° F. They produce no ozone or other secondary contamination.

Independent Testing: ALTRU-V systems have been independently tested to verify conformance to UL/C-UL per Category Code ABQK (Accessories, Air Duct Mounted) and UL Standards: 153, 1598 & 1995 respectively.

The health aspects associated with the use of this product and its ability to aid in the disinfection of environmental air have not been investigated by UL.



V-Strike XS (Side Mount)

V-Strike XT (Top Mount)

Model No.	Description	Nom. Dim.	Electrical	Weight	Part Number
VS-XS	V-Strike™ XS, 120/240V-Single Ended Fixture (Side Mount)		120Vac/240Vac, 60 Hz, 7A/4A	7 Lbs.	1B-2050
VS-XT	V-Strike™ XT, 120/240V-Single Ended Fixture (Top Mount)		120Vac/240Vac, 60 Hz, 7A/4A	6 Lbs.	1B-2051
VS-32-T5	V-Strike™ XS/XT, 32" New/Replacement Lamp	32.5"	-	5 Lbs.	1B-5000
VS-28-T5	V-Strike™ XS/XT, 28" New/Replacement Lamp	28.5"	-	4 Lbs.	1B-5001
VS-15-PLL	V-Strike™ XS/XT, 15" New/Replacement Lamp	15"	-	2 Lbs.	1B-5002

ALTRU...V

ALTRU-V (A Division of UVDI)
26145 Technology Drive
Valencia, CA 91355
Tel 877-PUREUVC (877-787-3882)
Tel 661-295-8140
Fax 661-257-4698
www.altruv.com



1. Strike Bulb Lengths: 32.5", 28.5", and 15".
2. Glow Light "ON" Indicator without lamp removal.

V-Strike Series Provides Cleaner Air and Greater Safety While Also Delivering Significant Increased Operating Efficiencies

VALUABLE BENEFITS FROM THE LEADER IN THE APPLICATION OF UV

- Waterproof NEMA 3 design for outdoor locations
- Heavy gauge steel, tamper-resistant enclosure
- Installs easily and safely into "through the wall" and "rooftop" units up to 10 tons
- Maintains AHU capacity to optimal operating condition with near original equipment capacities
- Lowers energy costs for most systems
- Reduces costly maintenance and cleaning programs
- With short paybacks, the V-Strike has one of the lowest ownership costs in the industry
- Improves indoor air quality by destroying surface microbes that grow in and on coils and drain pans, including mold and bacteria
- Helps to reduce infectious disease microbes including colds, flu, and other viruses
- UV has proven effectiveness on Mycobacterium tuberculosis (TB), Legionella pneumophila (Legionnaire's disease), and other infectious bacteria
- Produces no ozone, gases, or other noxious fumes – will not harm building occupants, equipment or furnishings
- ALTRU-V™ Lamps have the lowest output loss in the industry (over their operating life)
- Fixtures are UL/C-UL Listed under Category Code ABQK (Accessories, Air Duct Mounted), UL Standards: 153, 1598 & 1995 respectively
- One-year warranty on both the fixture and the lamp
- Replace lamps just once a year. Lamp change-out can take less than 5 minutes



V-Strike XS (Side Mount). Not pictured: XT (Top Mount) also available.

UNLEASH THE POWER OF THE V

ALTRU-V products from UVDI are transforming HVAC maintenance. By applying real science and the relentless cleaning power of ultraviolet light, ALTRU-V products are the optimal HVAC maintenance solution, replacing outdated mechanical and chemical cleanings that can be both costly and dangerous. The results are lower operating costs, safer lamp change-outs for maintenance personnel, and cleaner air. The V-Strike™ delivers UVC energy through a supported lamp design, allowing for maximum application flexibility in systems of up to 10 tons, either side mount or top mount. Its NEMA rated housing provides reliable outdoor installs for all applications. The V-Strike installs easily into "through the wall" or "rooftop" designs from outside the unit, so there is no need to open or compromise the equipment.

V-STRIKE

EXTERNAL SYSTEM-MOUNT
ULTRAVIOLET FIXTURE

XS: SIDE MOUNT
XT: TOP MOUNT

REAL SCIENCE FOR HVAC MAINTENANCE

ALTRU...V

SAFE AND RELIABLE
LOWER OPERATING COSTS
CLEANER AIR